



DAE SUNG E.N.G

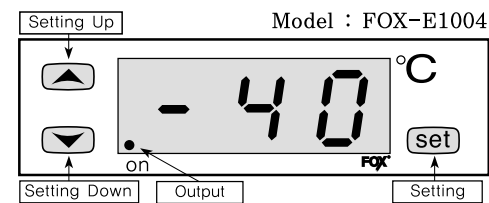
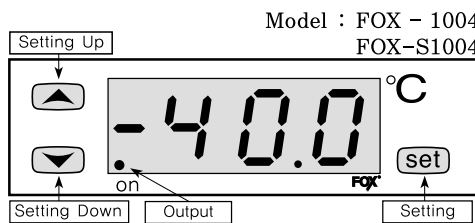
Digital Temperature Controller
www.foxeng.co.kr

TEMP. CONTROLLER PANEL METER

MODEL	TEMP. RANGE	SENSOR TYPE
FOX-1004	-40.0°C ~ +90.0°C	Diode
FOX-E1004	-40°C ~ +90°C	Diode
FOX-S1004	-40.0°C ~ +90.0°C	Diode

*Thank you for selecting our products.
Please read carefully this instruction to reduce any damages or operation mistakes.

1. Part name



FOX1004, FOX-E1004 : both use Cool & Heat
FOX-S1004 : only Cool

2. Changing of User Mode & Setting for Installer Mode Function

• Changing of User Mode

If **[set]** key is pushed, setting temperature is flicked.

Push **[▲ ▼]** key to change the setting value.

If **[set]** key is pushed again, **[o-E]** letter is indicated and setting temperature is remembered and present temperature is indicated.

• Setting for Installer Mode Function

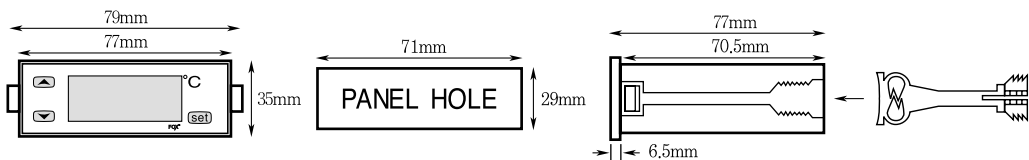
If **[set]** key is pushed over 5second, set in the following order:

TYP(Type) → DLT(Time Delay) → DIF(Temp. Deviation) → COR(Correct Present Temp.) and setting value each mode should be changed by pressing **[▲ ▼]** key and then press **[set]** key to move to next mode.

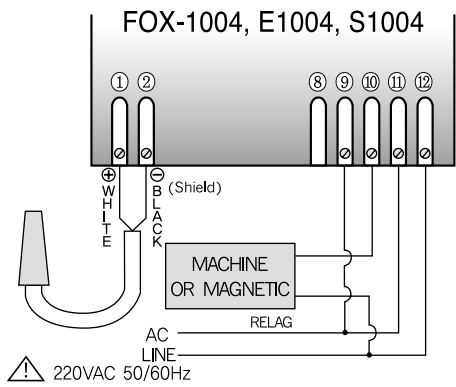
If **[set]** key is pushed again, setting value is remembered.

모 델	FOX-1004	Setting value when deliver	FOX-S1004	Setting value when deliver	FOX-E1004	Setting value when deliver
tYP	Cooling/Heating	C / H	C	Cooling	×	C / H
dLt	Time Delay	0 ~ 19min, 59sec.	○	0 ~ 19min, 59sec.	○	0 ~ 19min, 59sec.
dIF	Temp. Deviation	±0.1°C ~ ±19.9°C	1.0°C	+0.1°C ~ +19.9°C	1.0°C	±1°C ~ ±19°C
CoR	Correction of Temperature	±10.0°C	Correction for individual	±10.0°C	Correction for individual	±10°C

3. Dimension



4. Connection



5. CAUTION

Warning

Pls use this item after set up safety device doubly in which is applied at dangerous equipment such as serious human injury or serious damages of property & important machine because this item is not designed as safety device.

Caution

- Do not distributing wires or install the device for the occurrence of an induction load of motor, solenoid.
- Please use shield wire when sensor lengthen, however, do not make it too much longer.
- Please do not use the components which is occurring arcs when on/off near it or same power.
- Power cable keeps away from high-voltage cable and do not install the device where water, on and dust.
- Do not install the device from direct rays of the sun & exposed a site due to rain.
- Do not install the device from strong magnet & noise, vibration or shock.
- Please install the device from a great distance out of places occurring strong-alkali or strong-acidity.
- Do not sprinkle water for clean purpose when installing in the kitchen.
- Do not install the device from the places where Temp./Humi. exceed regular power.
- Please use the sensor wire without any cutting & flawing.
- Do not install the sensor wire nearby signal wire, power or load and please use self-pipe.
- Please understand you can't get any A/S service when you open or re-model it with free.
- ⚠ is the safety letter like warning, caution.
- Please do not use the device close by which occurring strong high-frequency noise (high-frequency, welding, sewing machine, wireless transmitter, SCR controller for high capacity)
- Please use this item proper method without any damage or injury.

Danger

Caution, Danger of electric shock

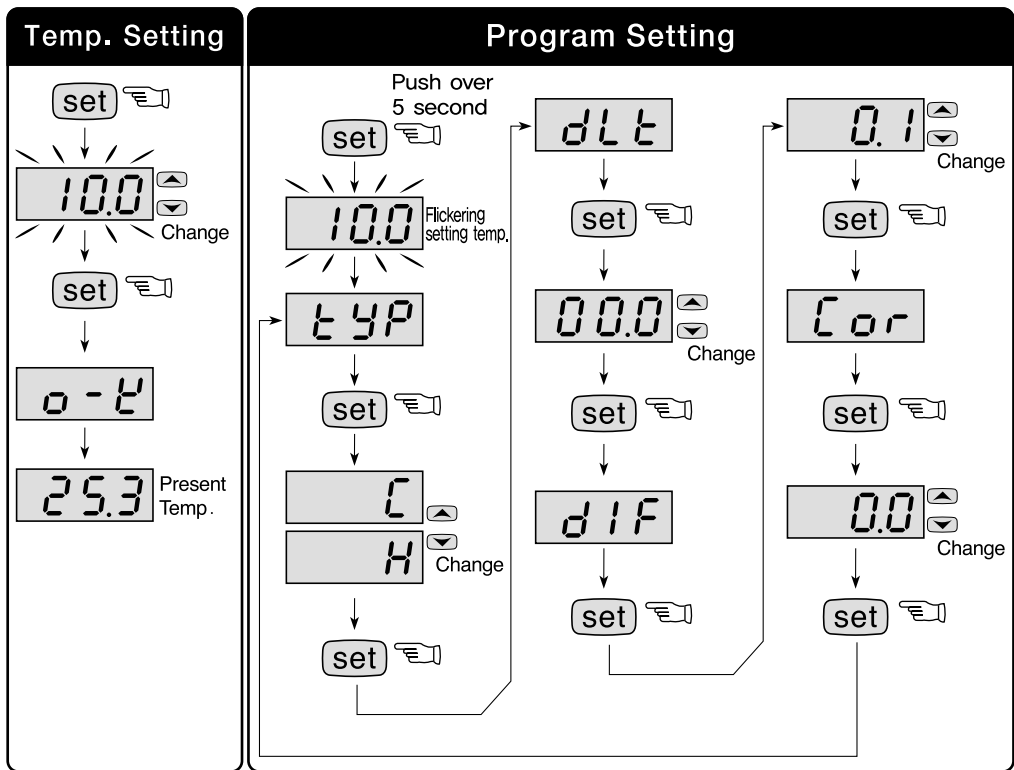
- Electric shock - Do not touch AC board during on power because of electric shock.
- Please intercept input power surely when input power check.

The way of diagnosis for breakdown

Indicating ERROR on using items

- This **[Err]** is the damage of memory data for various of inner-Data due to be get noised strongly from outside while using this items. Please request us A/S by return. Although our controller is designed as the complementary measures regarding these noise from outside, it is not endurable against these noise with endlessly.
- If noise (2kv) disordering become an inflow, the inner-part will be damaged.
- When shows these letter **[E-E]** (open error) **[S-E]** (short error) **[Err]** (error), error in sensor. Pls check sensor.

*Above Products information can be changed to improve it's quality without any notification
When this products use, pls observe the information of caution & Warning due to give rise to disordering.



H. Office : B-112, Techno plaza 681-11 Junpo 1 dong, Busanjin-ku, Busan, Korea
 Factory : B-409, Techno plaza 681-11 Junpo 1 dong, Busanjin-ku, Busan, Korea
 A/S TEL : 82+51+819+0427 FAX : 82+51+819+4562
 E-mail : foxeng@foxeng.co.kr
 Homepage : http://www.foxeng.co.kr

*This device works proper operation with:
 Surrounding Temp. : 0°C~60°C
 Surrounding Humi. : below 80%RH
 Regular power : 220VAC