

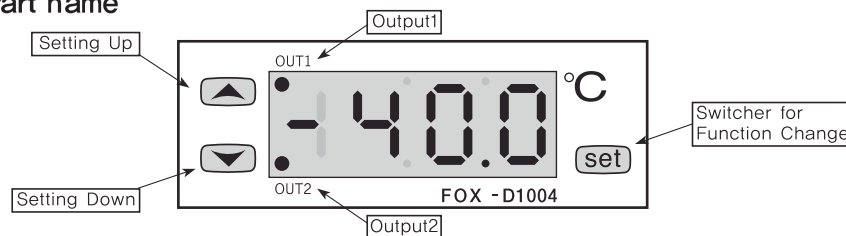
CONOTEC[®] Digital Temperature Controller

CONOTEC CO., LTD. www.conotec.co.kr

Model	Temp. Range	Sensor	Output	Function
FOX-D1004	-40.0°C ~ +90.0°C	Diode	2Relay	Cooling / heating co-control

※ Thank you for selecting our products. Please read carefully this instruction to reduce any damages or operation mistakes.

1. Part name



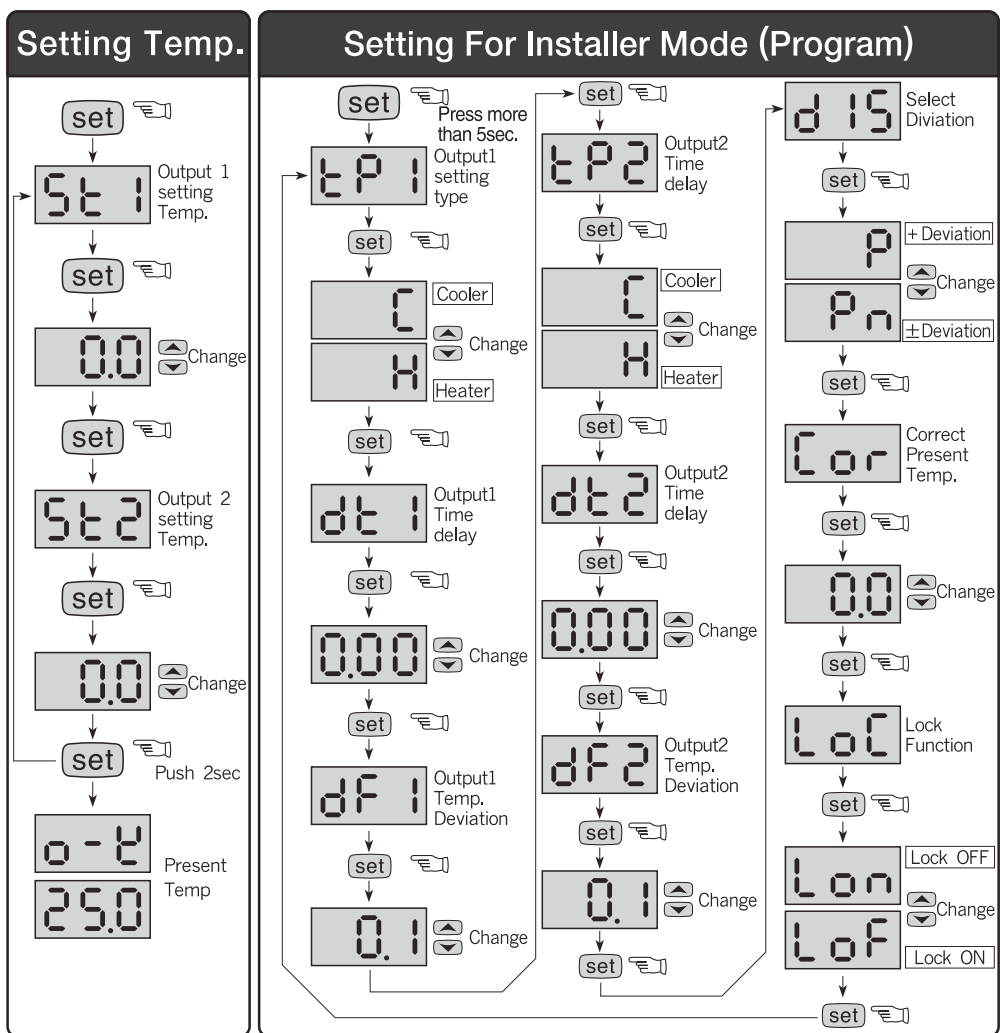
2. Changing User Mode / Installer Mode Function

- Changing User Mode**
 When **[set]** key push, showing **[5t 1]** letter, and then push the key again to be flicker the setting temperature. (Output1, setting Temp) Push **[▲/▼]** key to change setting value and Push **[set]** key again, showing **[5t 2]** letter and then push **[set]** key more, flickering setting Temp. (Output2 setting Temp.) Push **[▲/▼]** key to change setting value.
- Setting for Installer Mode Function**
 When push **[set]** key over 5second, set as following order TP1(Output 1 setting type), DT1(Output 1 Time delay), DF1(Output 1 Temp. Deviation), TP2(Output 1 setting type), DT2(Output 1 Time delay), DF2(Output 2 Temp. Deviation), DIS(Select deviation), COR(Correct present Temp.), LOC(Lock function) setting each mode should change **[▲/▼]** key, to move next mode, push **[set]** key.



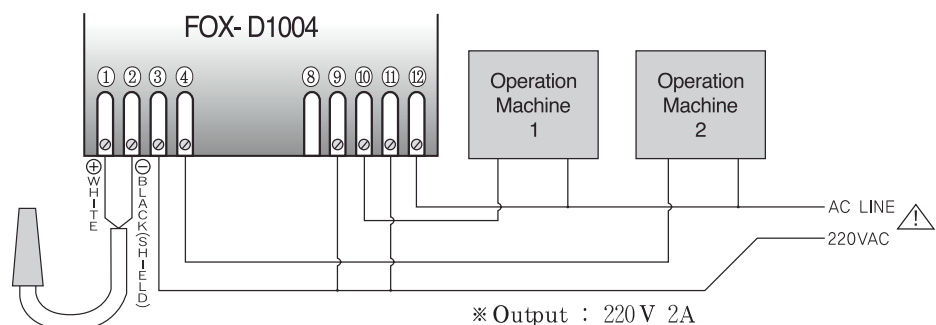
FOX-D1004

Function	Model		FOX-D1004	Setting value when deliver	Remarks
	Indication				
User setting Mode (Setting Temp)	Output 1 setting Temp.	5t 1	-40.0 ~ 90.0°C	10.0	
	Output 2 setting Temp.	5t 2	-40.0 ~ 90.0°C	10.0	
Installer	Output 1	Select type	TP1	Cooling / Heating	C
		Time delay	DT1	0.0 ~ 19min59sec	0.00
		Temp. deviation	DF1	0.1 ~ 19.9°C	0.1
Setting	Output 2	Select type	TP2	Cooling / Heating	C
		Time delay	DT2	0.0 ~ 19min59sec	0.00
		Temp. deviation	DF2	0.1 ~ 19.9°C	0.1
Mode	Select deviation	DIS P	+Deviation		P
		DIS Pn	±Deviation		
	Correct present Temp.	COR	-5.0 ~ 5.0°C	0.0	
	Lock Function	LOC Lon	Lock Function ON inside setting Temp.		L.oF
LOC Lof		Lock Function OFF			



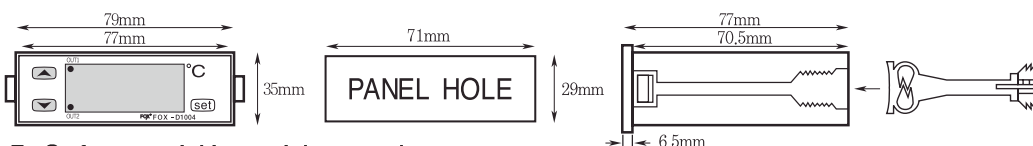
※ All program push **[set]** key once after setting off and then, be closed after confirmation of **[o - E]** letter or present temperature automatically after 10 sec.

3. Connection



※ Output : 220 V 2A
Please make use of surely the power relay or magnet.

4. Size & Dimesion



5. Safety and Hazard Instructions

⚠ Safety

Pls use this item after installing the duplex safety device in which is applied at dangerous factors such as serious human injury or serious damages of property & important machine because this item is not designed as safety device

⚠ Safety Instruction and Hazard Warnings

Please read the operating manual through completely before putting the device into operation. We will not assume any responsibility for damage to assets or persons caused by improper handling or failure to observe the safety instructions or hazard warnings.
 For safety and licensing reasons, unauthorized conversion and/or modification of the device is not permitted. Do not exceed the maximum permissible current - in case of higher loads, use a contactor of adequate power. Make sure that the supplied voltage matches the values specified for the instrument.
 The device must be adequately protected from water and dust as per the application and must be accessible via the use of appropriate tools.
 The device must not be exposed to extreme temperature, sunlight, strong vibrations or high levels of humidity.
 Operation or installation is not permitted under unfavorable ambient conditions such as wetness or excessive induction loads or solenoid and dust, combustible gases, vapors or solvents, especially high-frequency noise. Avoid operation or installation close to high-frequency fields such as welding devices, sewing machines, wireless transmitter, radio systems, SCR controller, etc.
 Do not install the sensor cable nearby signal cable, power cable, load cable.
 Please use the shield cable when the sensor cable's lengthen, however do not make it too much longer. Please use the sensor cable without any cutting or flaw, blemish.
 The device is not a toy and should be kept away from children.
 Installation work must only be carried out by suitably qualified personnel who are familiar with the hazards involved and with the relevant regulations.
 You shouldn't tinker with anything or the product may not be opened or disassembled unless you know what you're doing. Please ask us about this questioning.

⚠ Danger

Attention ! Never work on electrical connections when the machine is switched on

Error message

- E - I** Memory error. Turn the power off and turn it on again. If the error message persists, please request us A/S by return.
- o - E** Sensor error. The sensor is interrupted. Check the cable.
- S - E** Sensor error. The sensor is short-circuited. Check the cable.

※ This device's specification can be changed without any notification to improve its quality

■ Address : CONOTEC B/D 26 Yunsan-ro, Geumjeong-gu, Busan, Korea
 CONOTEC B/D 232-28 Bugok-dong, Geumjeong-gu, Busan, Korea
 A/S TEL : +82-070-7815-8266
 : +82-51-819-0425~0427
 Homepage : http://www.conotec.co.kr
 E - mail : conotec@conotec.co.kr

※ This device works proper operation with:
 Surrounding Temp. : 0°C~60°C
 Surrounding Humi. : below 80%RH
 Regular power : 220VAC